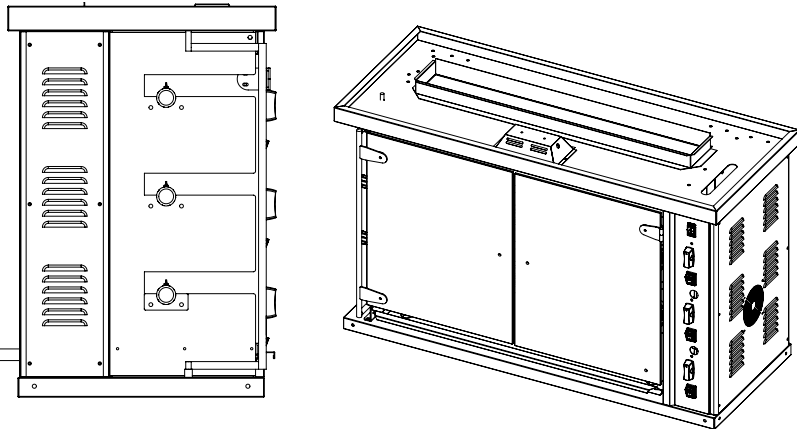
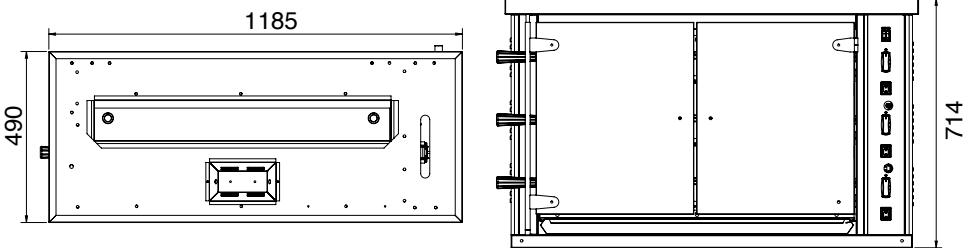


**STANDARD FEATURES**

- Voltage 120/50
- Stainless steel structure
- Individually controlled infrared burners
- Standby stainless steel pilot burner
- HDSROG-3 comes with (3) stainless steel spits
- Top illuminated light for better view of food
- Toughened glass doors
- Water proof on off switch for motor
- Cooling fan to cool down the control area temperature
- Stainless steel oil collector



**METROG-3**



**METROG-3**

MODEL	DESCRIPTION	TOTAL INPUT (btu/hr)	CAPACITY	VOLTAGE/AMP	PRODUCT (WxDxH)	PACKING (WxDxH)	NW	GW
METROG-3	Gas Rotisserie	63,000	12-15 Chickens	120VAC, 60Hz, 0.45A	1185 x 490 x 714 mm 46.7 x 19.2 x 28.1 inch	1300 x 610 x 890 mm 51 x 24 x 35 inch	77 kg 170 lbs	95 kg 209 lbs
METROG-6	Gas Rotisserie	126,000	24-30 Chickens	120VAC, 60Hz, 0.9A	1185 x 490 x 1254 mm 46.7 x 19.2 x 49.4 inch	1300 x 610 x 1400 mm 51 x 24 x 55 inch	120 kg 264 lbs	147 kg 323 lbs

www.metriccooking.com